



UNITED STATES PATENT AND TRADEMARK OFFICE

UNITED STATES DEPARTMENT OF COMMERCE  
United States Patent and Trademark Office  
Address: COMMISSIONER FOR PATENTS  
P.O. Box 1450  
Alexandria, Virginia 22313-1450  
www.uspto.gov

APPLICATION NO.	FILING DATE	FIRST NAMED INVENTOR	ATTORNEY DOCKET NO.	CONFIRMATION NO.
-----------------	-------------	----------------------	---------------------	------------------

09/544,801

04/07/2000

Shunpei Yamazaki

SEL 174

1717

7590

02/06/2008

Cook Alex McFarron Manzo Cummings & Mehler LTD  
200 West Adams Street Suite 2850  
Chicago, IL 60606

EXAMINER

ERDEM, FAZLI

ART UNIT

PAPER NUMBER

2826

MAIL DATE

DELIVERY MODE

02/06/2008

PAPER

**Please find below and/or attached an Office communication concerning this application or proceeding.**

The time period for reply, if any, is set in the attached communication.



UNITED STATES DEPARTMENT OF COMMERCE

U.S. Patent and Trademark Office

Address: COMMISSIONER FOR PATENTS

P.O. Box 1450

Alexandria, Virginia 22313-1450

APPLICATION NO./ CONTROL NO.	FILING DATE	FIRST NAMED INVENTOR / PATENT IN REEXAMINATION	ATTORNEY DOCKET NO.
09544801	4/7/00	YAMAZAKI ET AL.	SEL 174

Cook Alex McFarron Manzo Cummings & Mehler LTD  
200 West Adams Street Suite 2850  
Chicago, IL 60606

EXAMINER

FAZLI ERDEM

ART UNIT	PAPER
----------	-------

2826


01292008

DATE MAILED:

Please find below and/or attached an Office communication concerning this application or proceeding.

Commissioner for Patents

Drawings filed 1/9/2008 have been approved

  
LEONARDO ANOUJAR  
PRIMARY EXAMINER

IN THE DRAWINGS:

The attached sheets of drawings include changes to Figs. 24A, 25A and 25B to correct informalities therein. These sheets replace the original sheets containing these drawings. Applicants are also submitting formal drawings herewith.

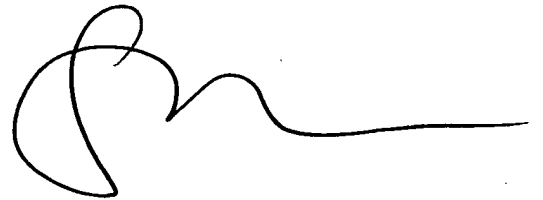
Attachment: Replacement Sheets

Annotated Sheets Showing Changes

Approved

1/29/08

Tom Brown

A large, stylized handwritten signature in black ink, appearing to be 'Tom Brown', with a long horizontal line extending to the right.

Approved  
1/29/08 PAMBUSH

FIG.1A

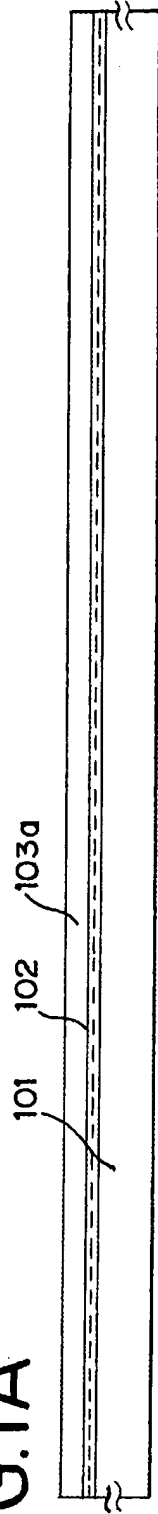


FIG.1B

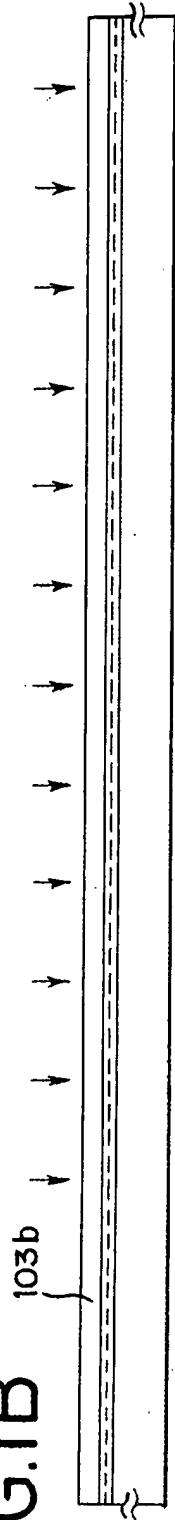


FIG.1C

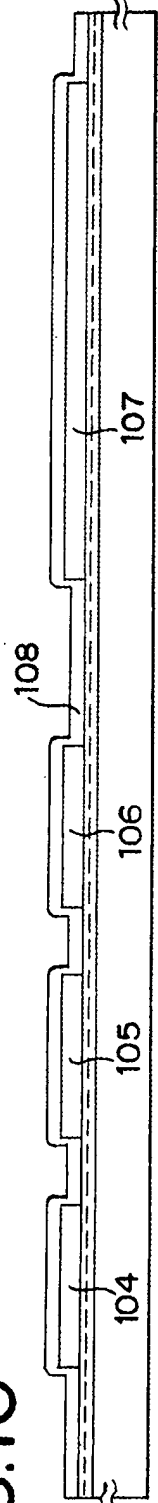
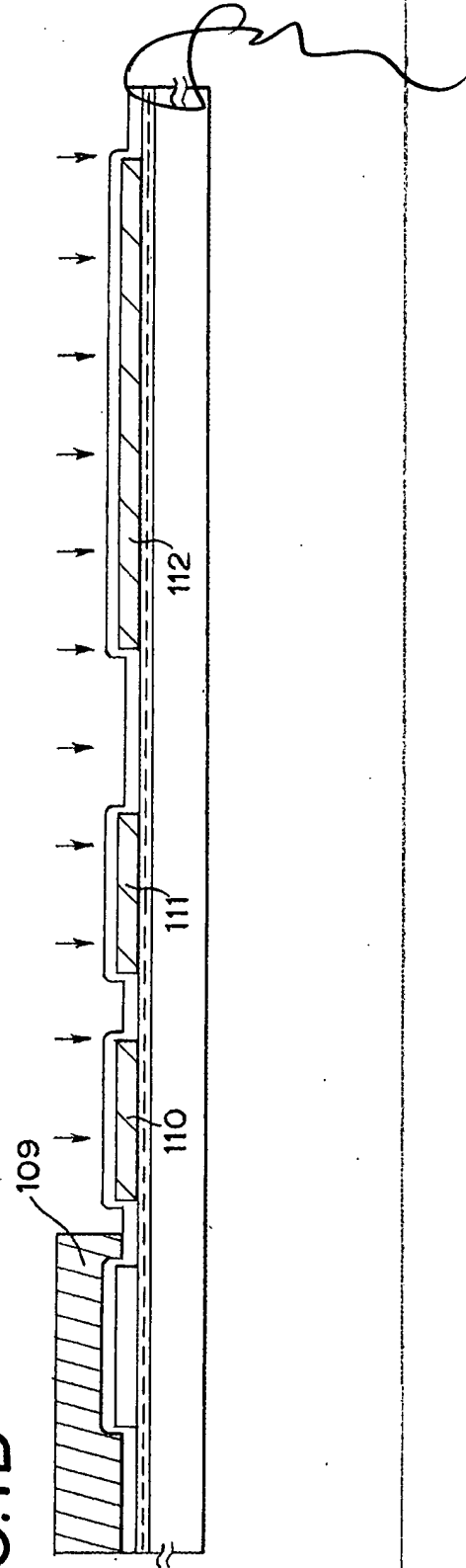
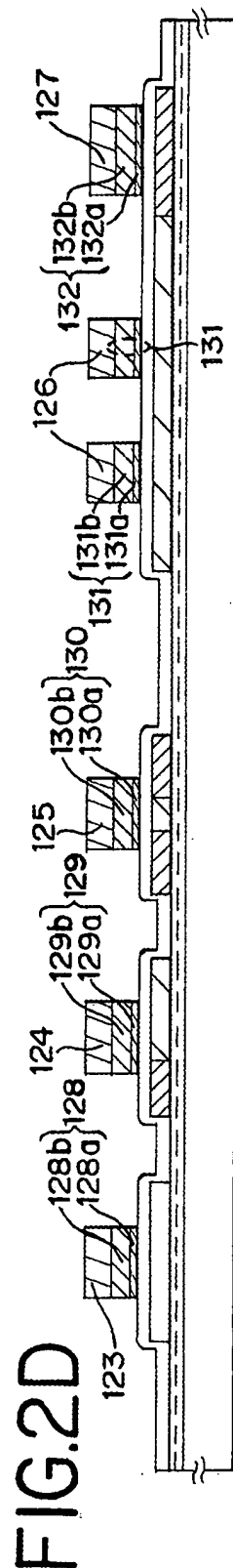
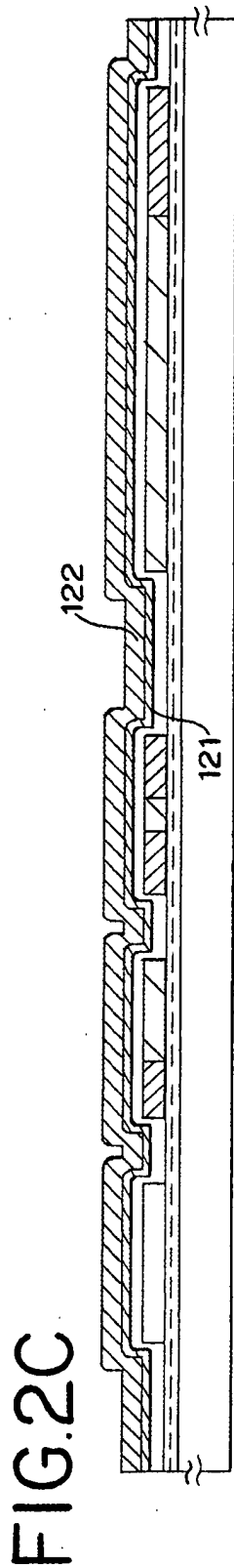
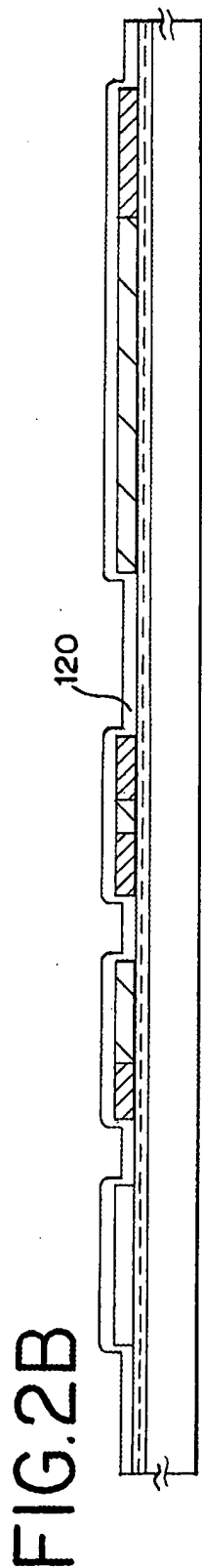
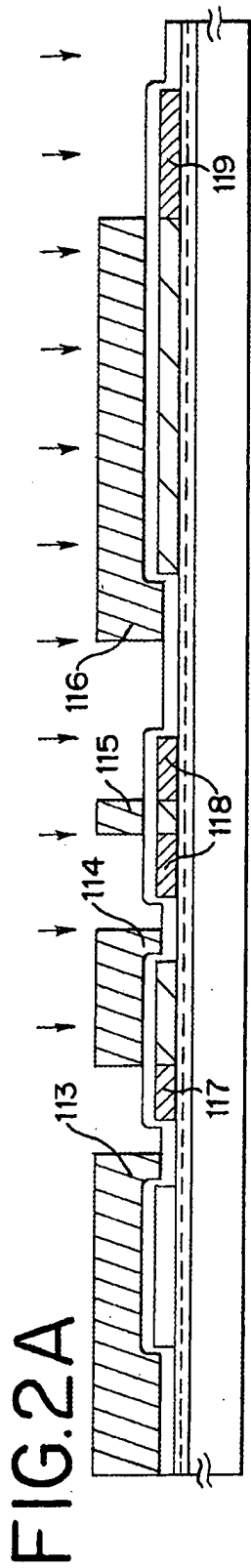


FIG.1D





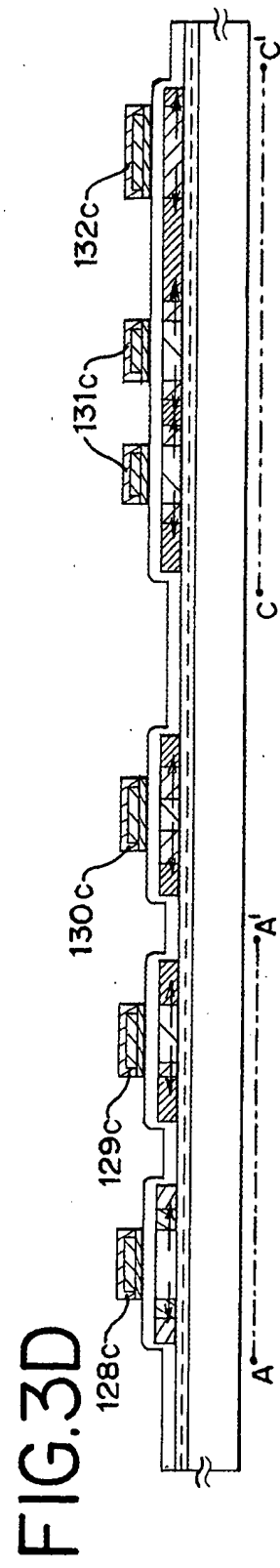
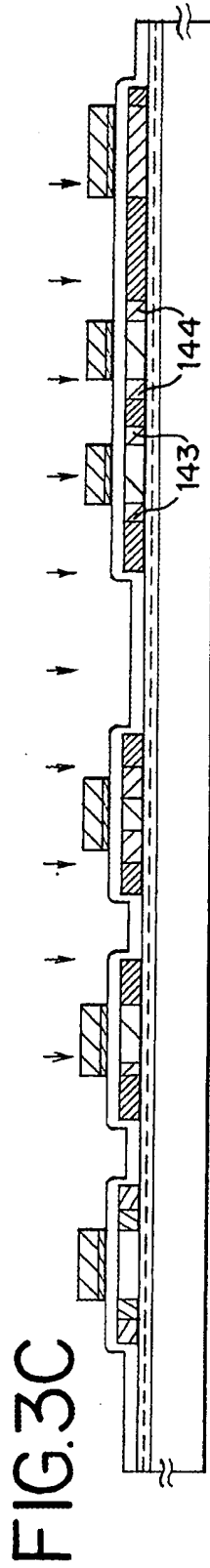
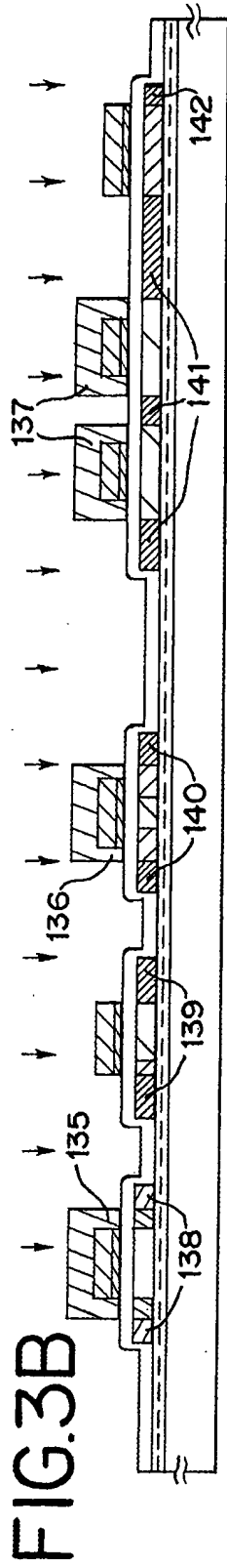
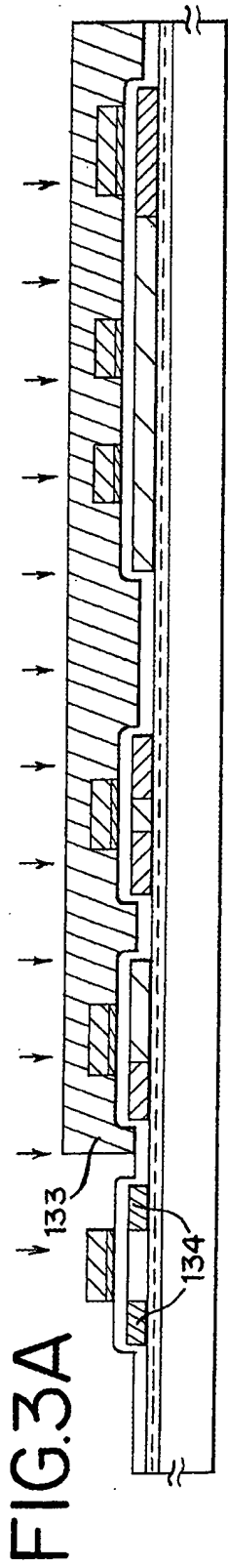


FIG.4A

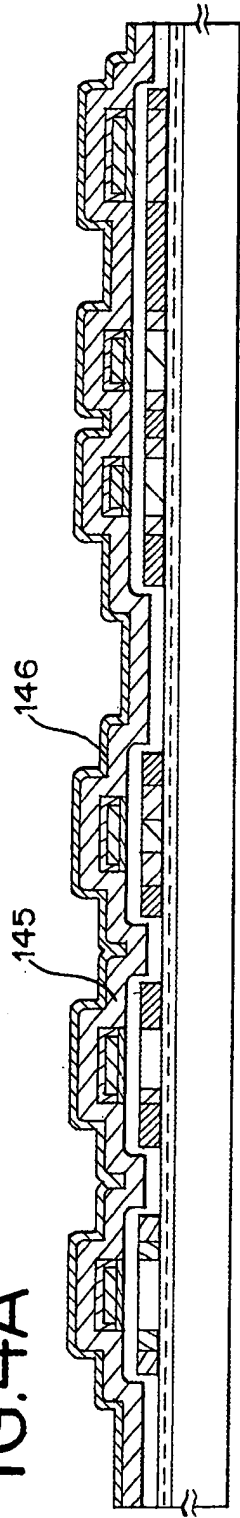


FIG.4B

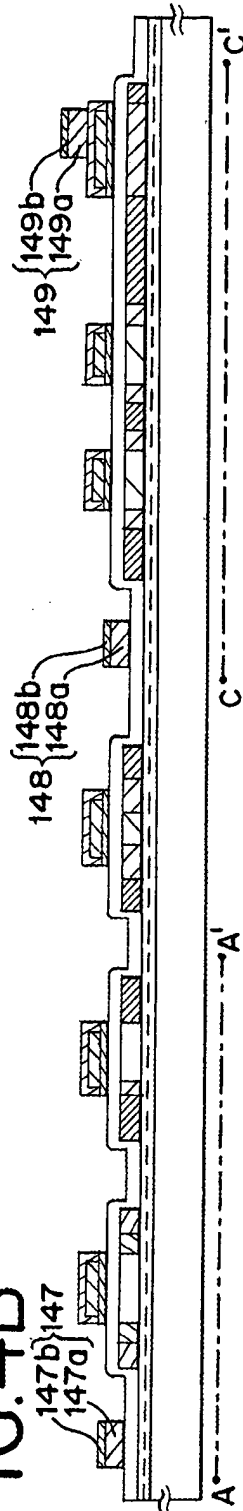


FIG.4C

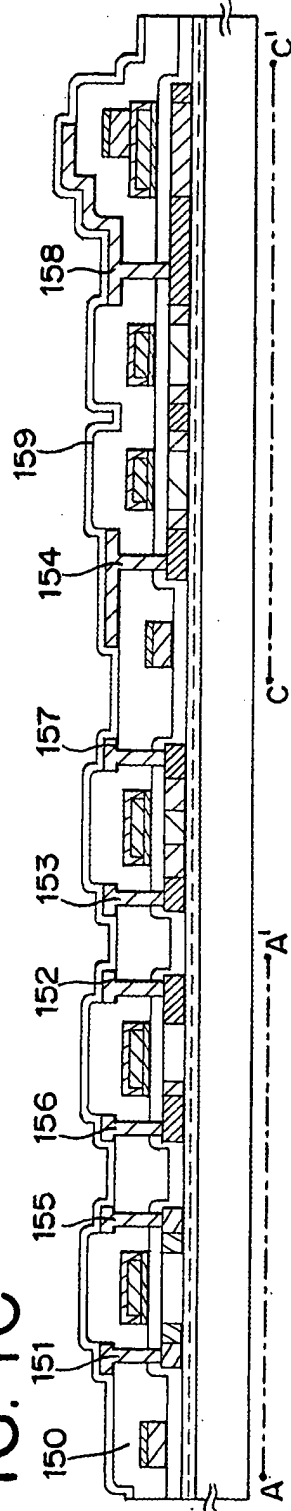


FIG.5

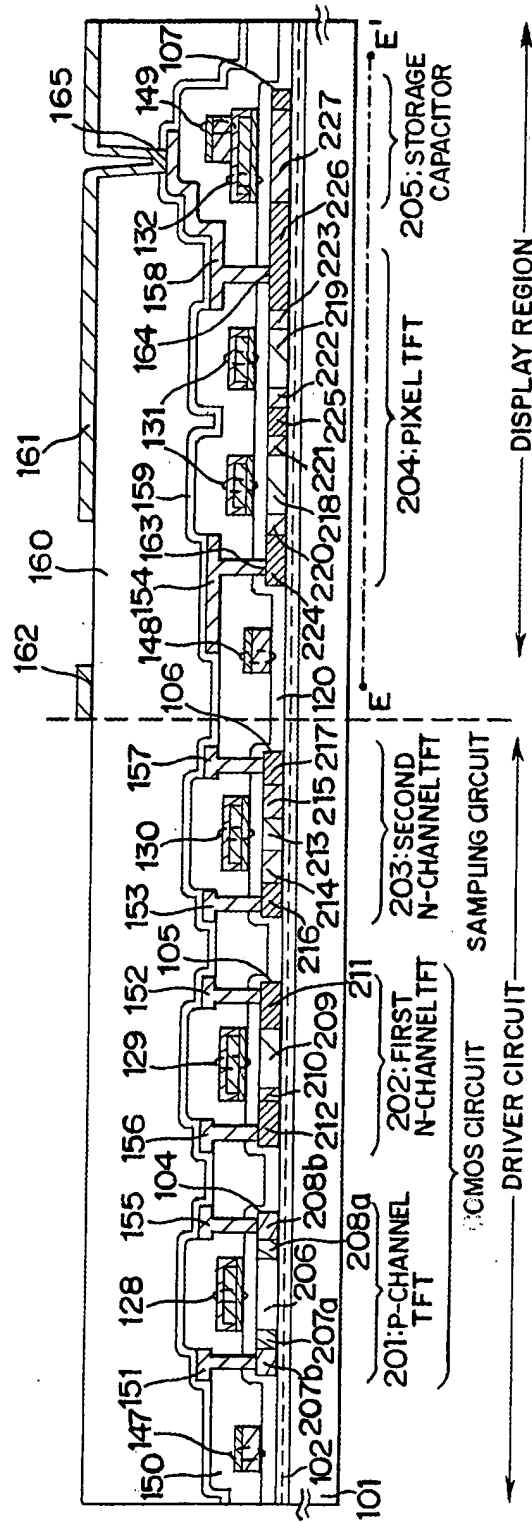




FIG.6A

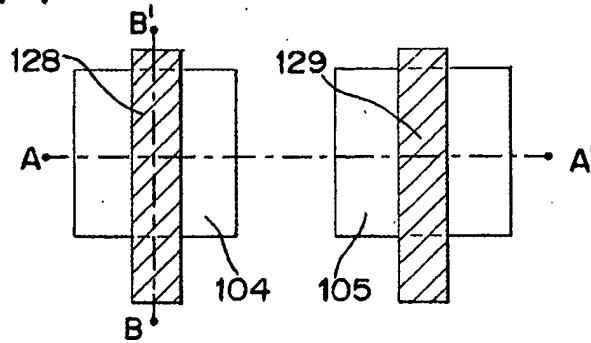


FIG.6B

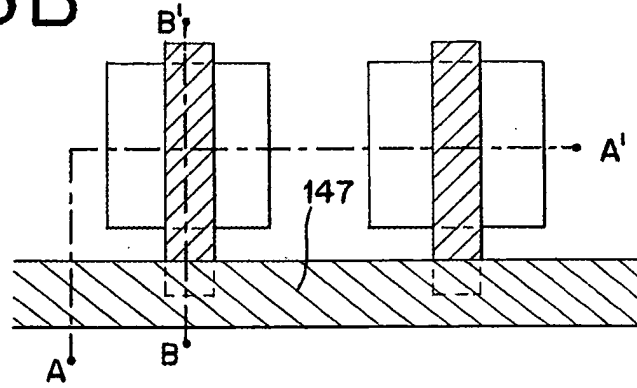


FIG.6C

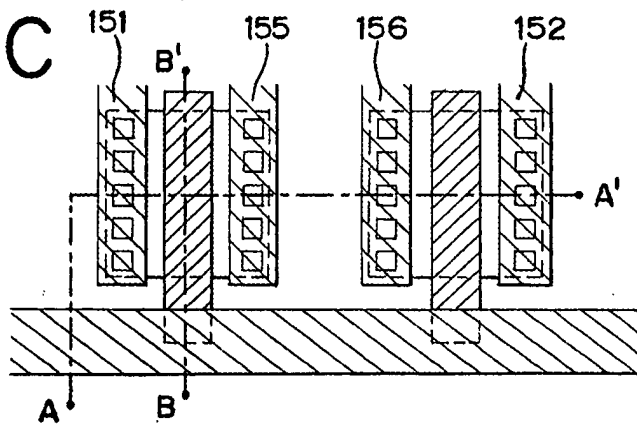


FIG.7A

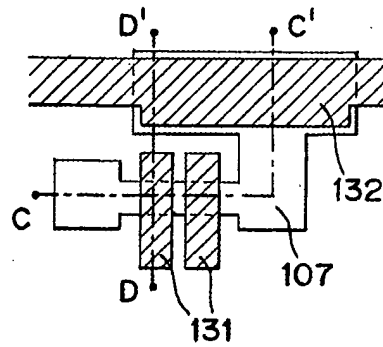


FIG.7B

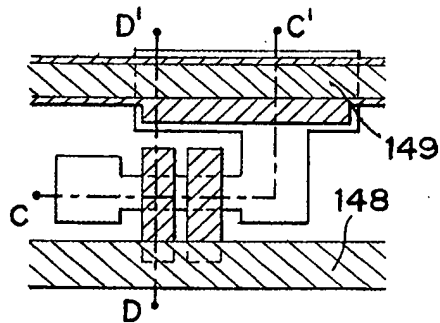


FIG.7C

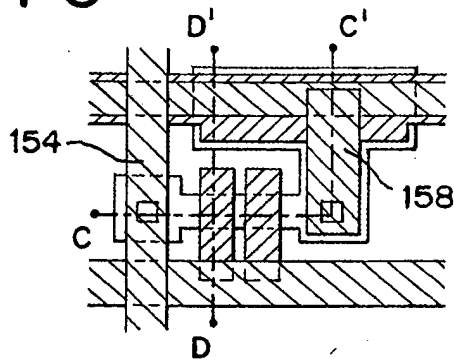


FIG.8A

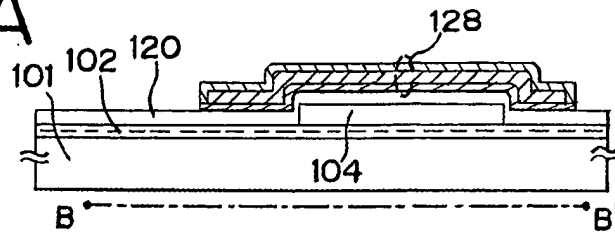


FIG.8B

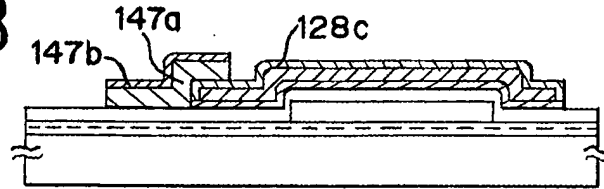


FIG.8C

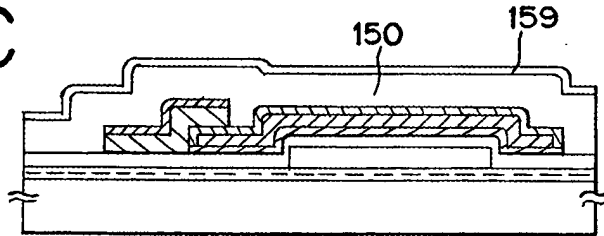


FIG.9A

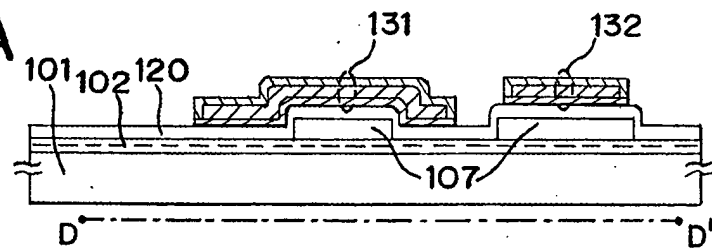


FIG.9B

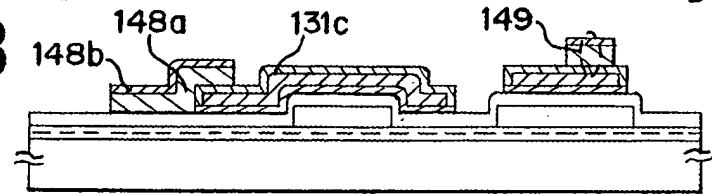


FIG.9C

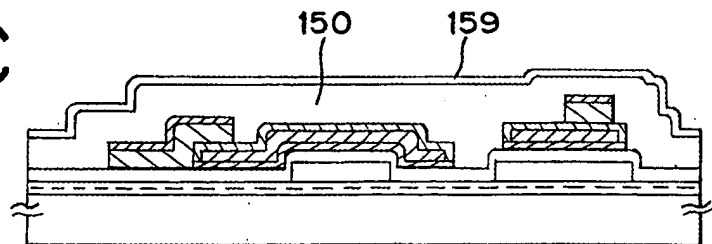


FIG. 10

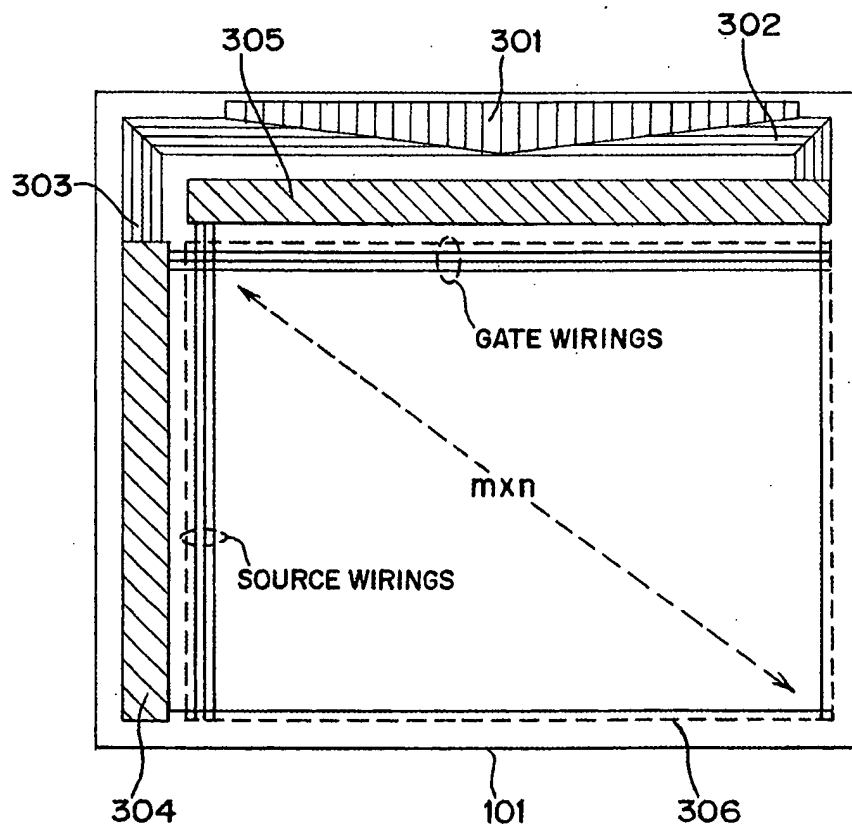


FIG.11

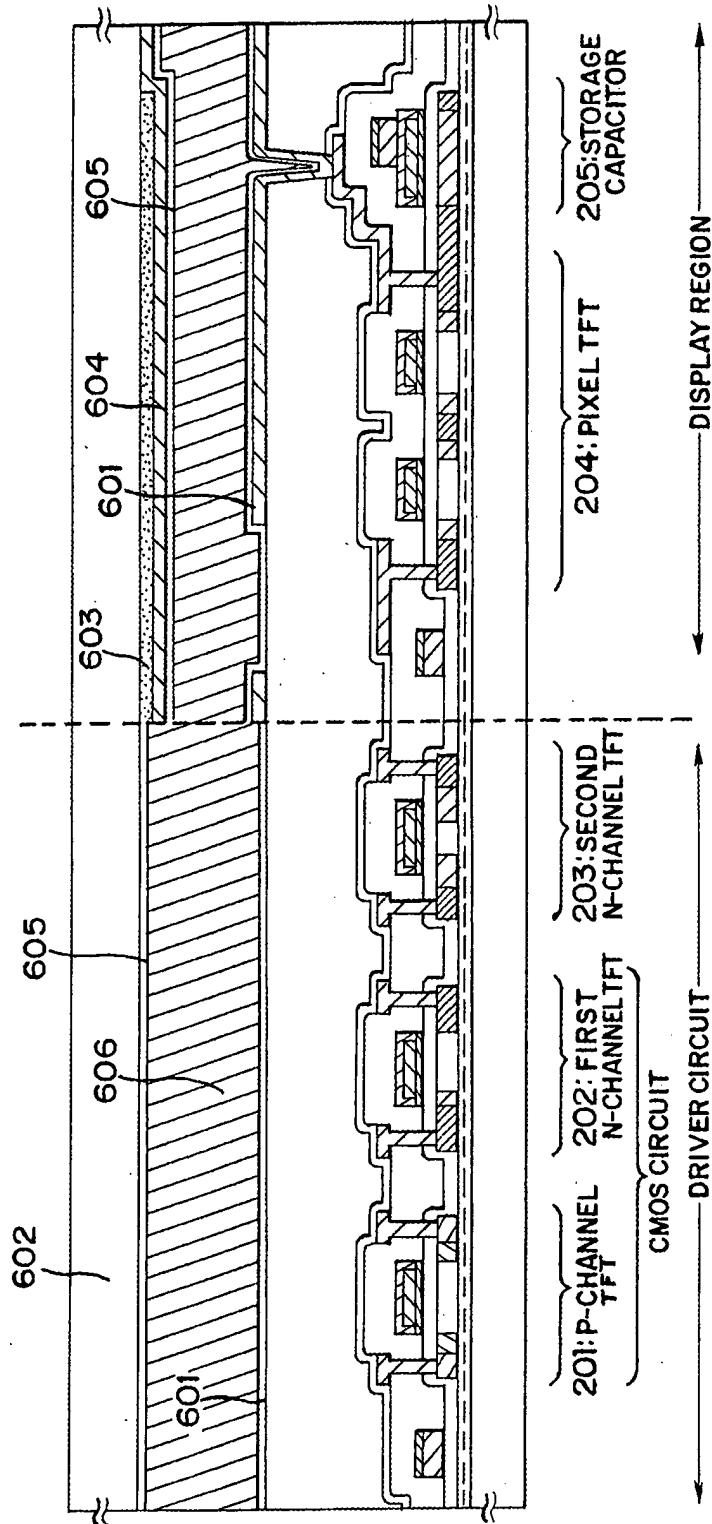


FIG.12

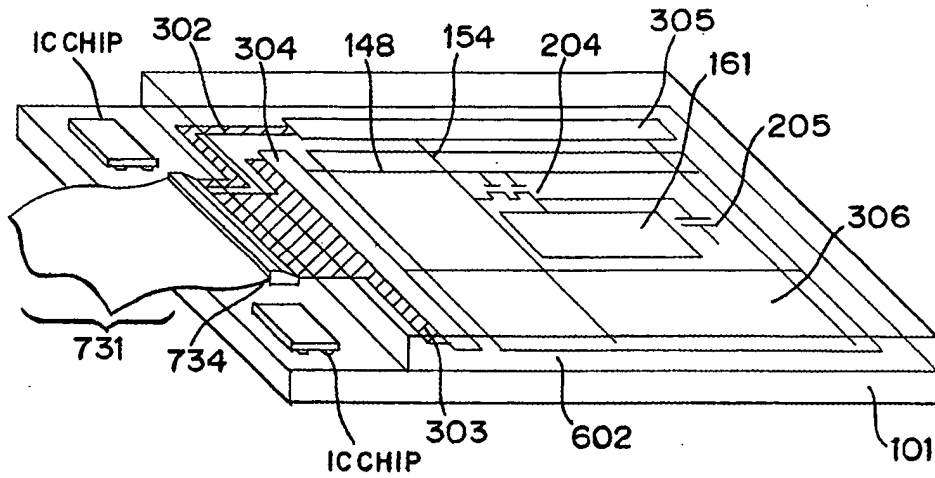
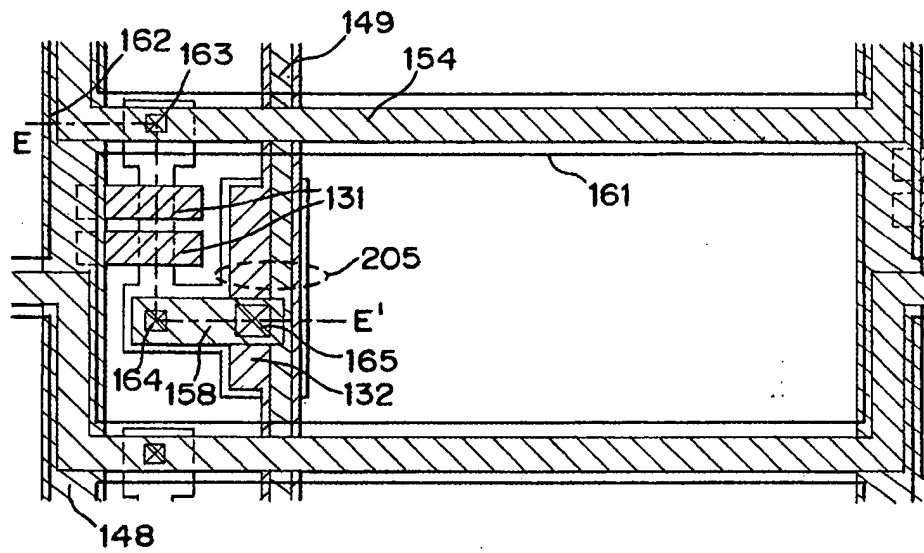
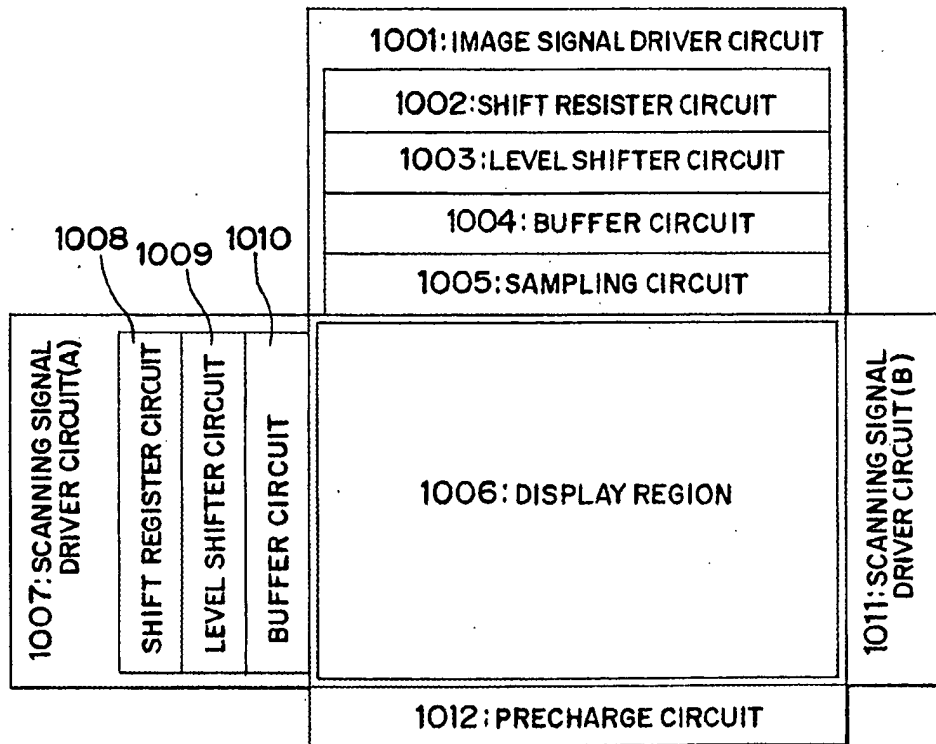


FIG.13



# FIG.14



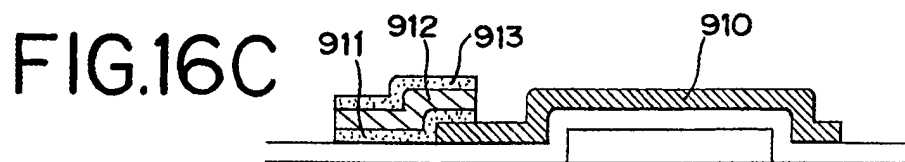
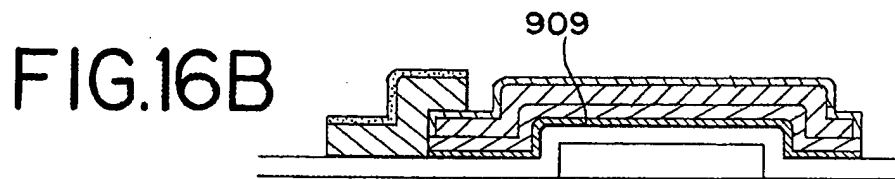
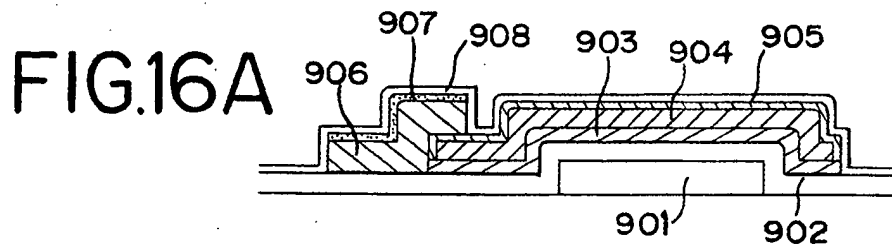
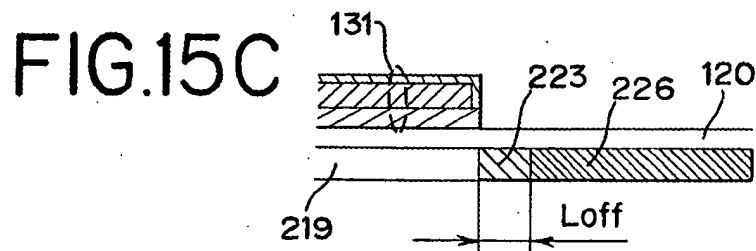
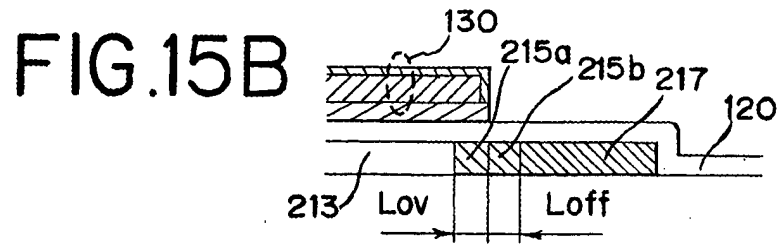
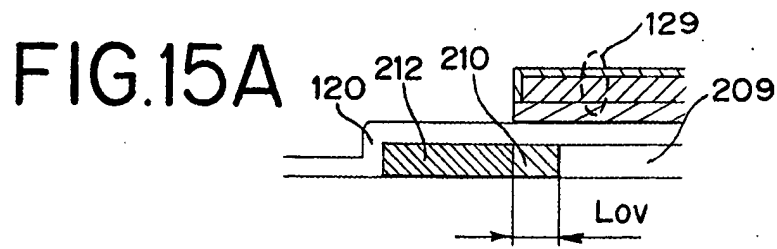




FIG.17A

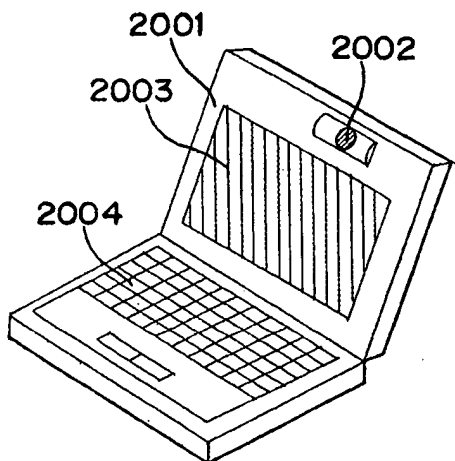


FIG.17B

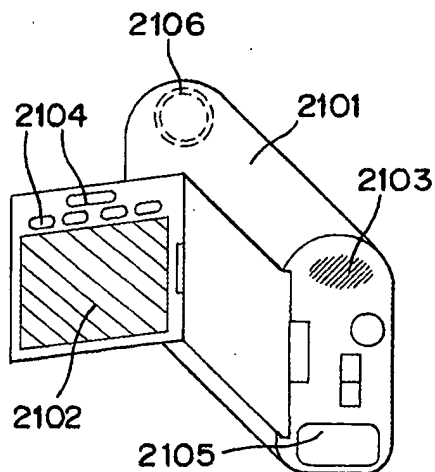


FIG.17C

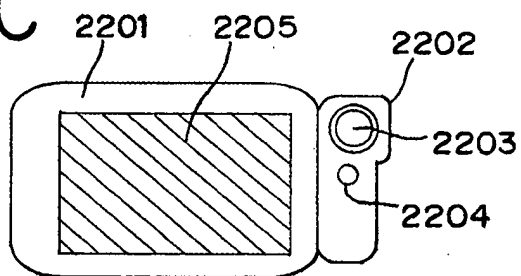


FIG.17D

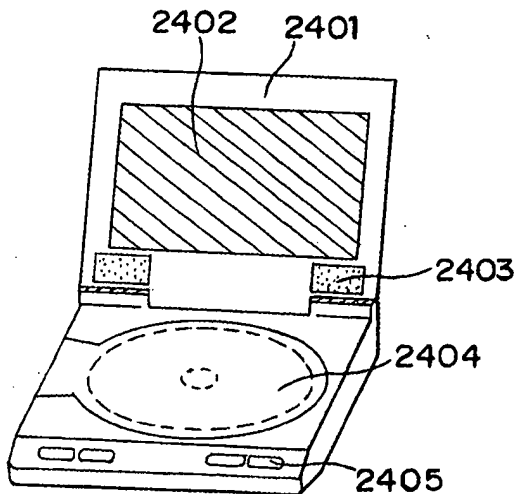
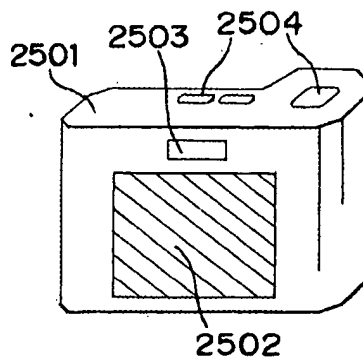
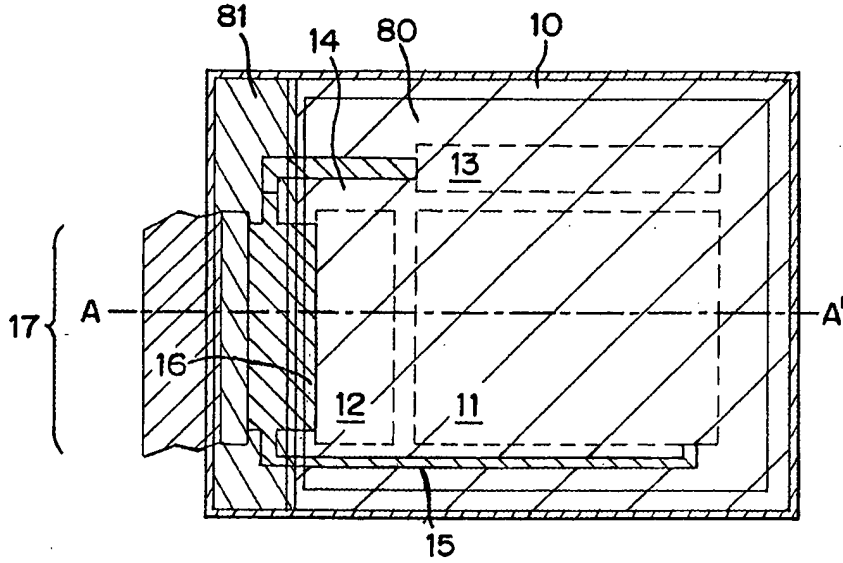


FIG.17E



# FIG.18A



# FIG.18B

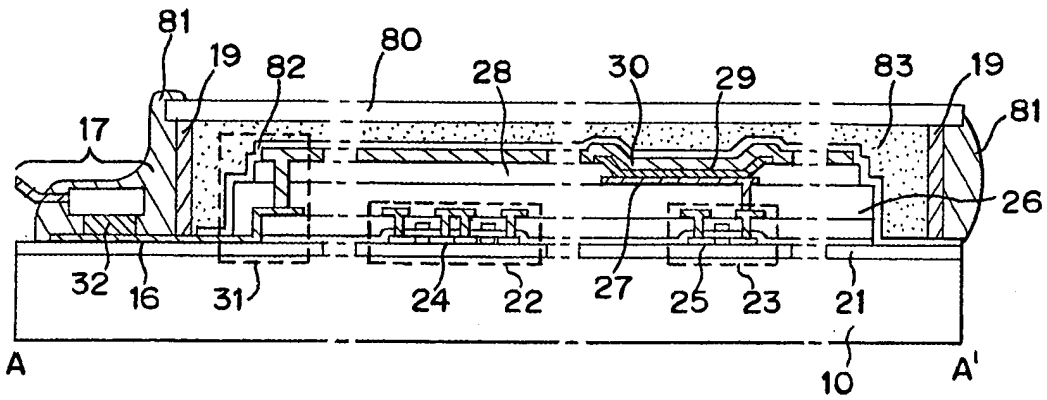


FIG.19A

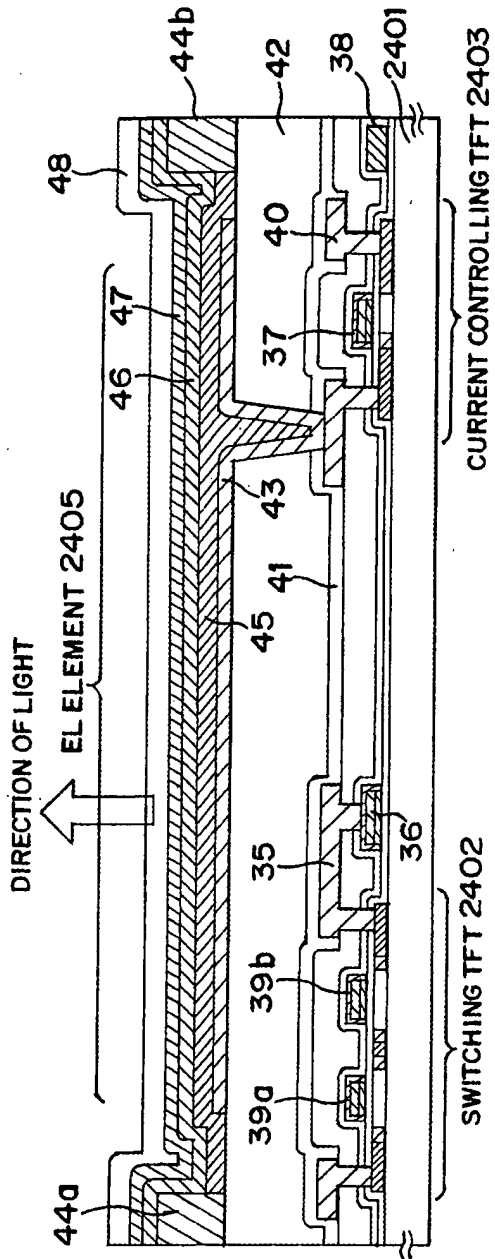
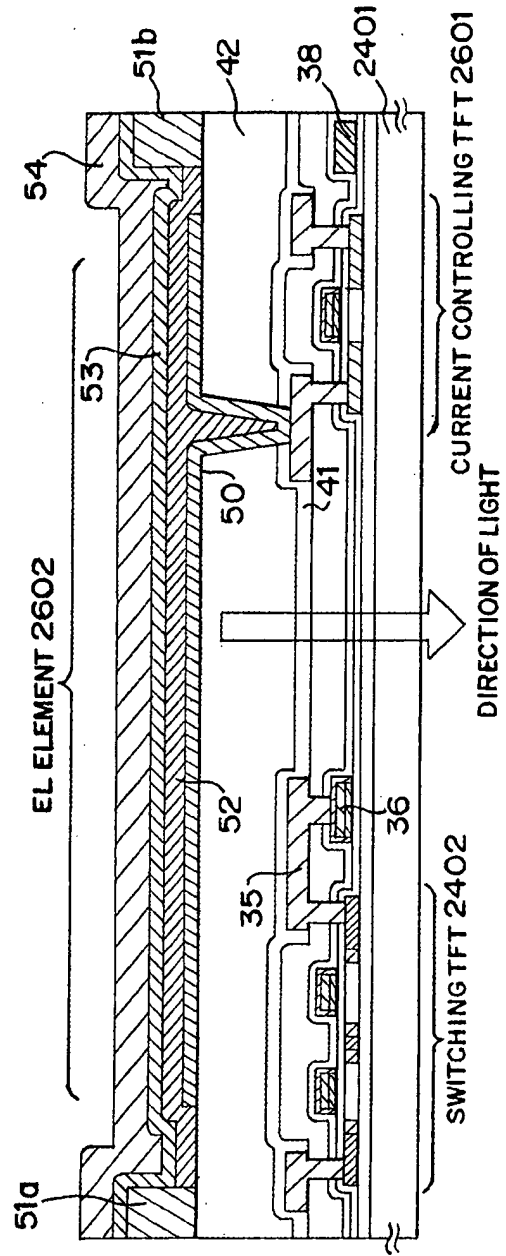
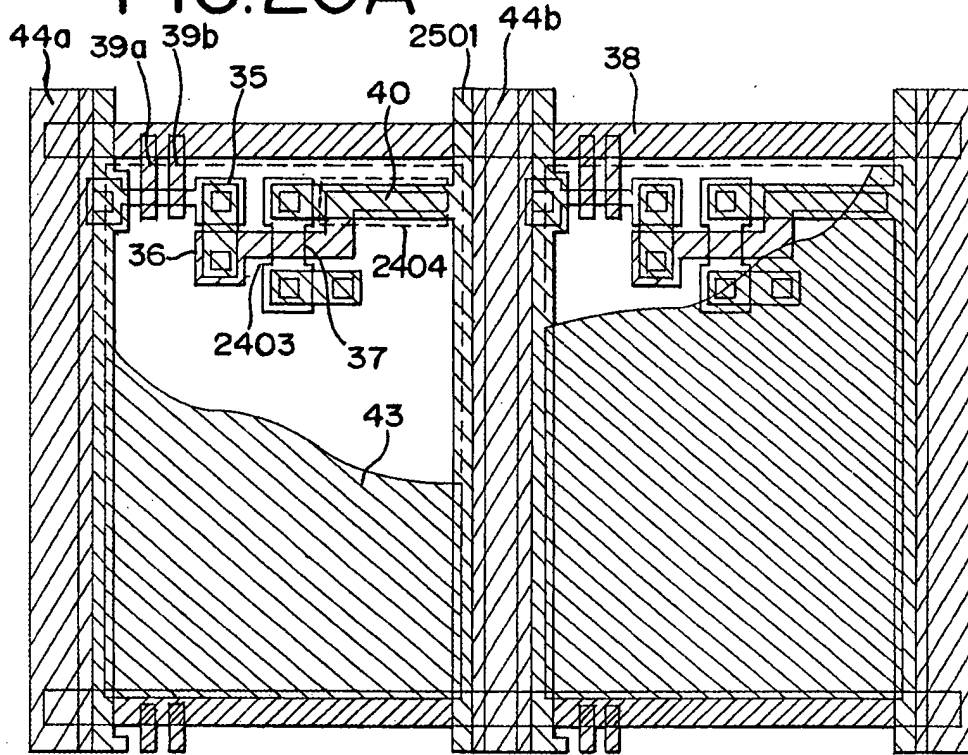


FIG.19B



# FIG.20A



# FIG.20B

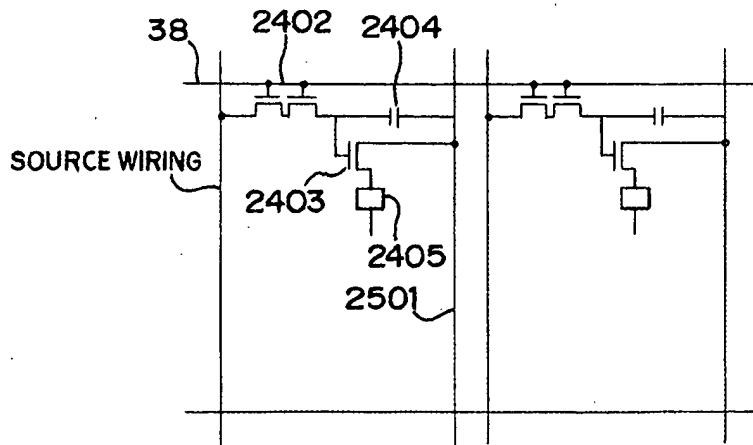


FIG. 21A

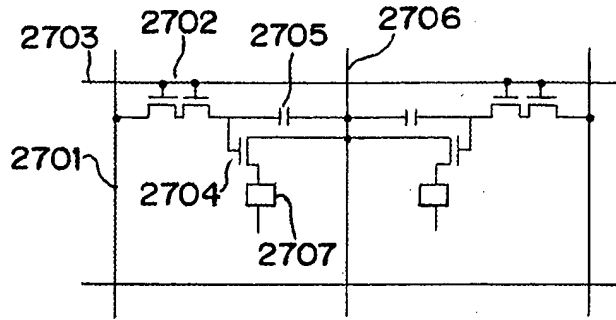


FIG. 21B

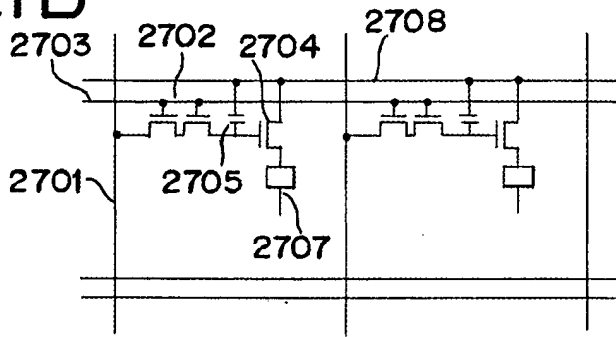


FIG. 21C

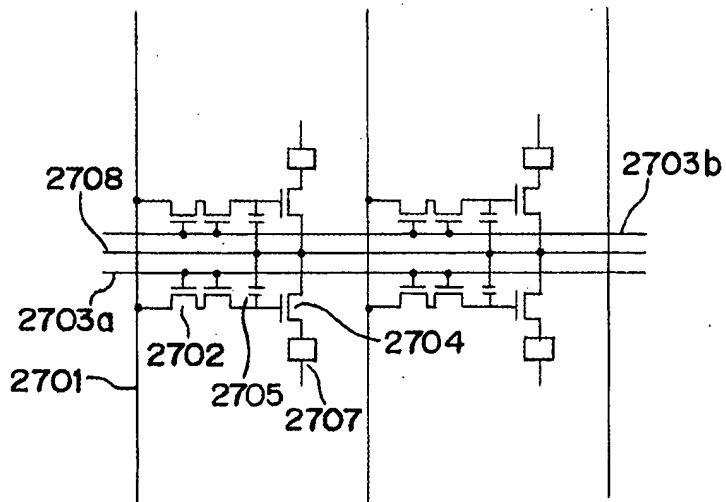


FIG.22

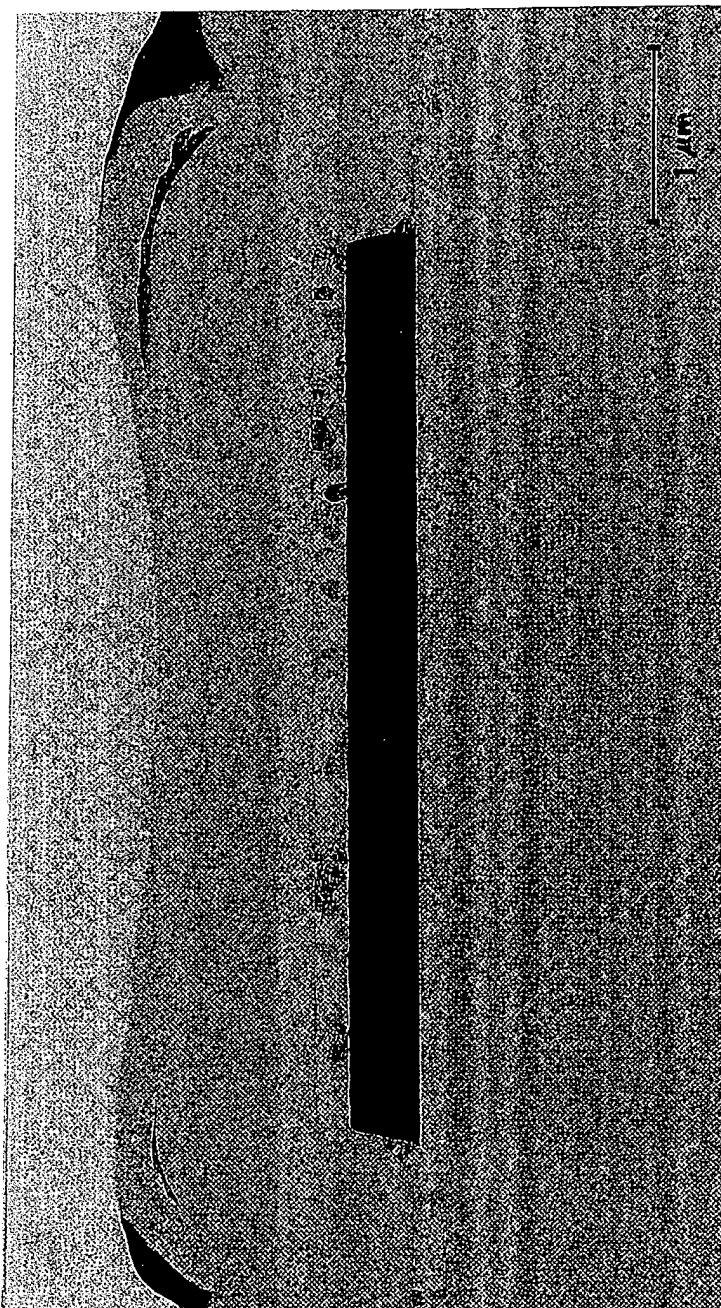
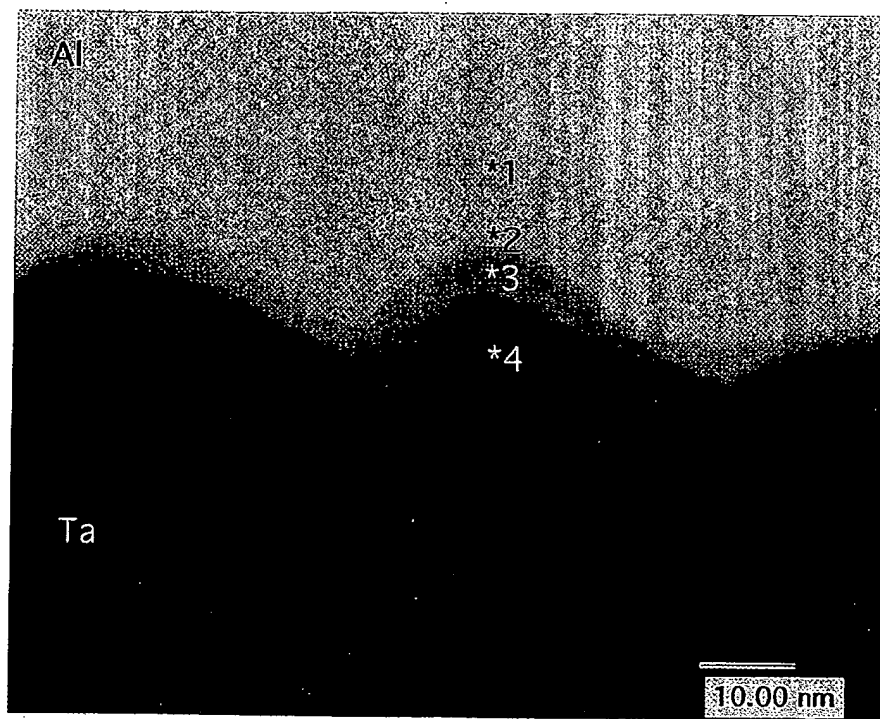
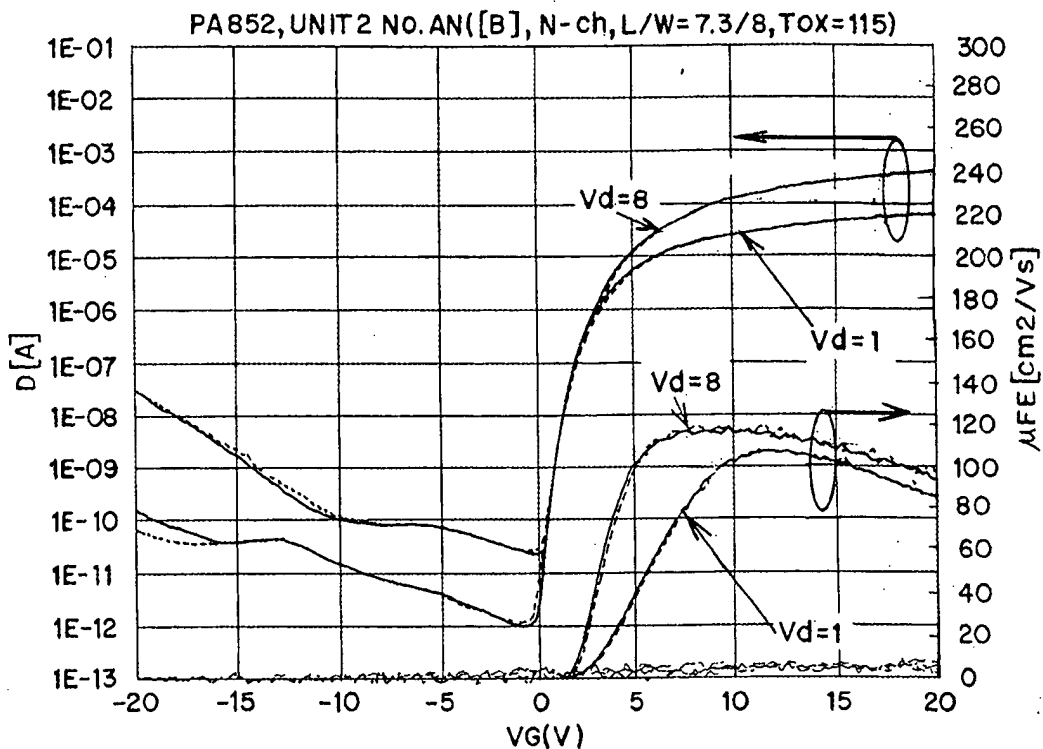


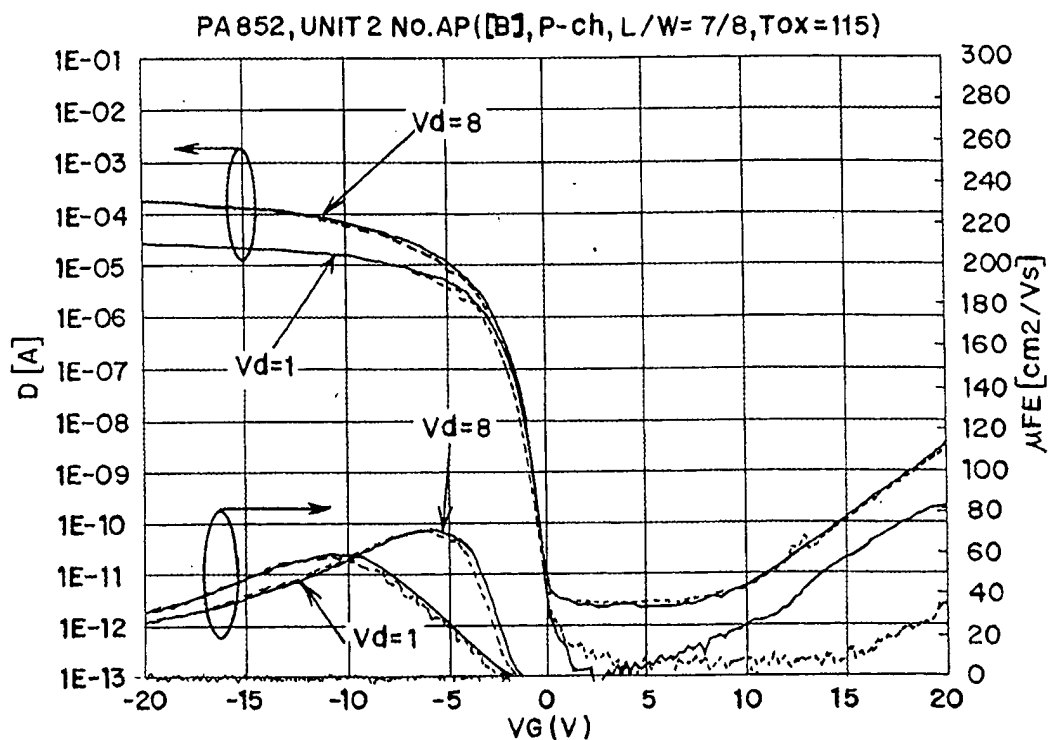
FIG.23



# FIG.24A

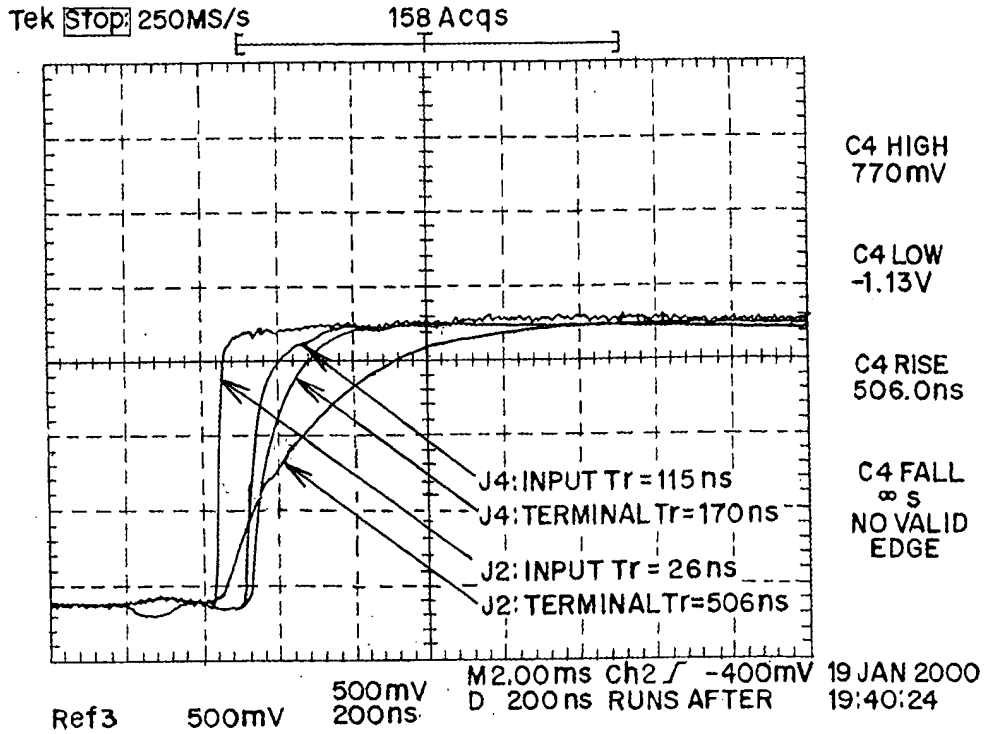


# FIG.24B

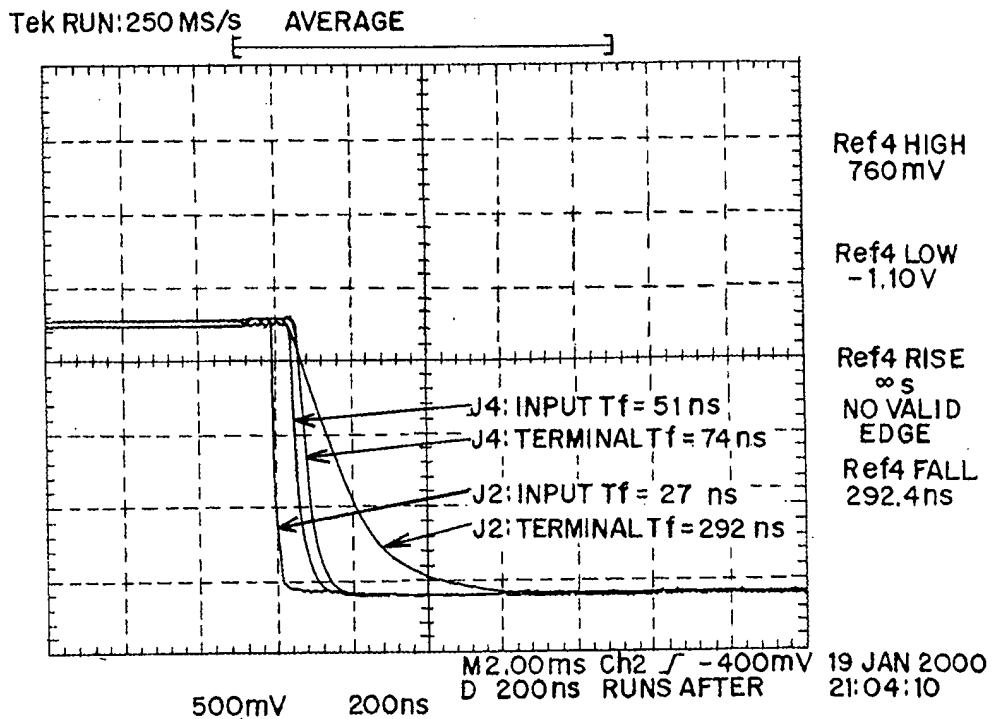




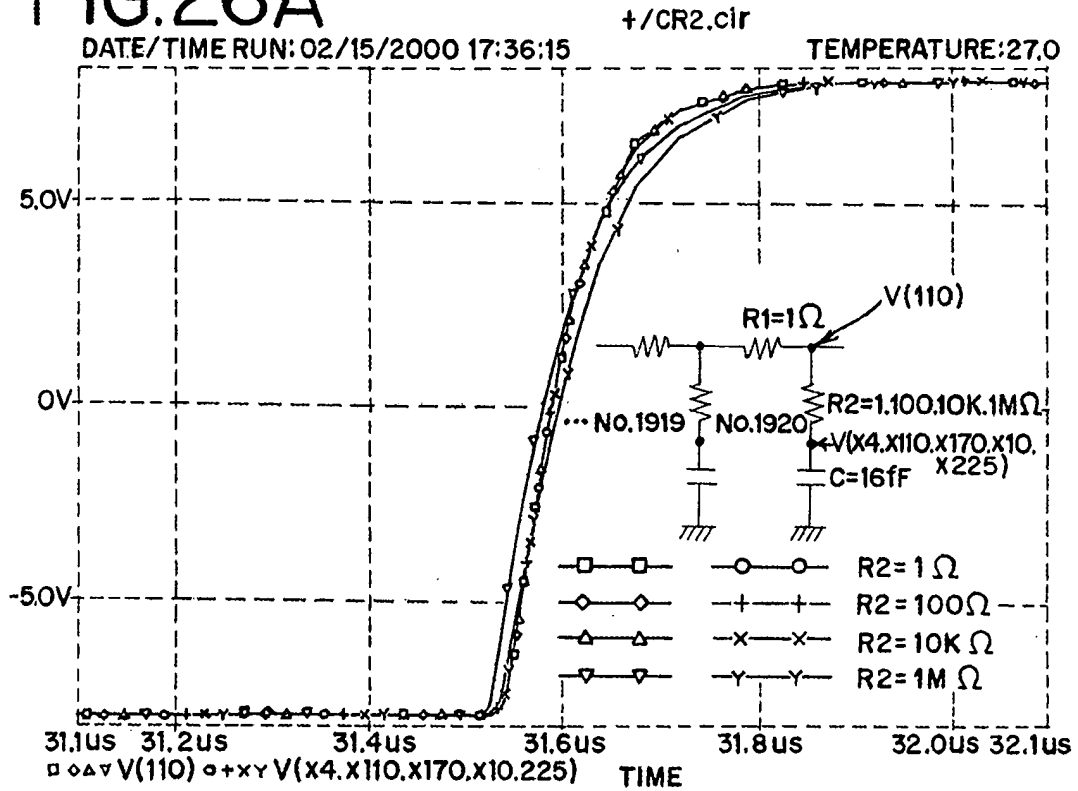
# FIG.25A



# FIG.25B



# FIG.26A



# FIG.26B

